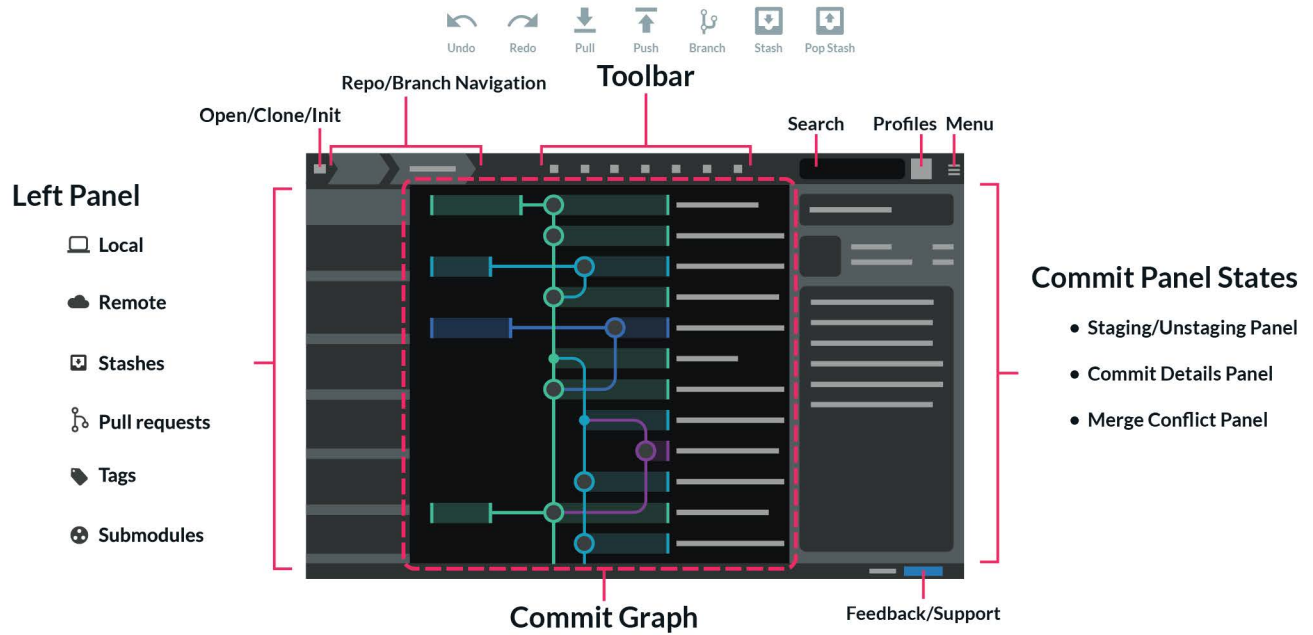
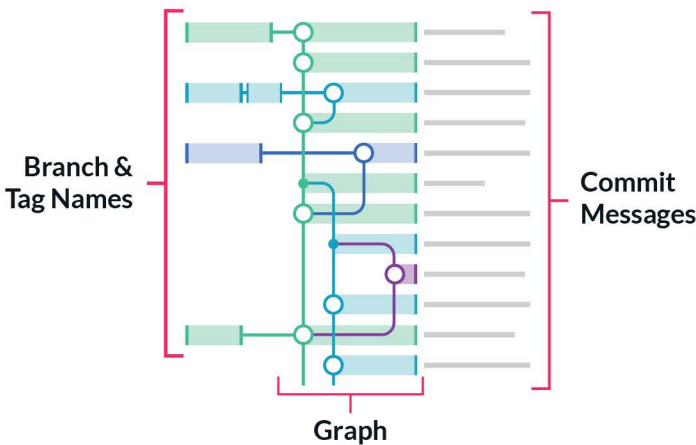




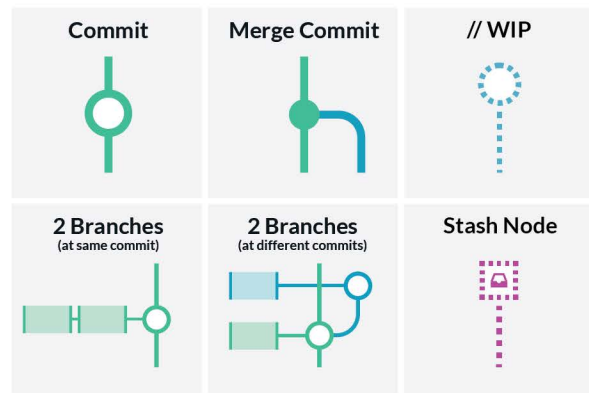
GitKraken User Interface (dark theme)



Commit Graph Detail (light theme)



Graph Elements & Actions



Keyboard Shortcuts

⌘ | Ctrl /

Select Previous Item	Up or K	Commit	⌘ Ctrl Enter when in message input
Select Next Item	Down or J	Stage All + Commit	⌘ Ctrl Shift Enter when in message input
Select First Item	⌘ Up	Left Panel	⌘ Ctrl \ toggle
Select First Item	⌘ Home	Fuzzy Finder	⌘ Ctrl P toggle
Select Last Item	⌘ Down	Stage All Files	⌘ Ctrl Shift S
Select Last Item	⌘ End	Unstage All Files	⌘ Ctrl Shift U
Zoom In/Out	⌘ Ctrl + / -	Undo	⌘ Ctrl Z
Reset Zoom	⌘ Ctrl 0	Redo	⌘ Ctrl Y or ⌘ Ctrl Shift Z
Stage/Unstage	S / U current file	Command Palette	⌘ Ctrl Shift P toggle

The Fuzzy Finder

Using **⌘ | Ctrl P** will open the Fuzzy Finder, a text input where you can type commands to open repositories, view history for files in the current repository, and settings, etc.

For example, if you wanted to open a repo at: ``var/repos/myweirdrepo2.git`` You can enter: ``open weird`` and it should come up in the list.

The Command Palette

Using **⌘ | Ctrl Shift P** will open the Command Palette, which looks like the Fuzzy Finder, but is used to perform actions on your current repository. For example, you can fetch all, create or pop a stash, undo redo actions, and more from the Command Palette. As you type related content, the relevant commands will be displayed in a list. This allows you to perform many actions without having to search for the related UI, and without ever having to leave the comfort of your keyboard.

Operating on Other Branches


One of the more subtle capabilities of GitKraken is acting on branches and tags other than the one that is currently checked out. You can fetch, pull, and push a branch while being on a different branch, provided no merge conflicts occur.


For example, if you are on branch "master," you can right click on "feature/123," and choose to push it.

You've always been able to push that branch, but now you can save the extra steps of stashing, checking out that branch, pushing, checking out your previous branch again, and popping your stash.

Hiding and Soloing

If you hover over a branch or tag in the Left Panel, you'll see two icons:

 The green "eye"-con indicates that the corresponding branch is visible in the graph. Clicking this icon will hide the branch in the graph represented by a grey icon with a slash. Hiding branches can help keep the commit graph legible by showing only what you need to see.

 Clicking on the orange "Solo" icon, will hide all other branches and tags leaving only the selected branch/tag visible in the graph. You can solo multiple branches/tags at once. Entire remotes can also be soloed. So if you only care about two of your coworkers' remotes, you can hide everything else. Click "Stop Soloing" at the top of the panel to leave the soloing state. Branches and Tags will remain in the visible/hidden state they were in previously.

Undo and Redo

Undoing Git operations can be a nightmare. Undoing a merge can involve hard resetting branches, deleting a branch means manually parsing through the reflog and dangling blobs hoping that you can find your changes and save them before they're cleaned up. With GitKraken, it's easy: just click the Undo or Redo buttons in the toolbar.



GitKraken can undo a lot of these changes with a single click of the undo button (or, you can do it through the command palette).



Have you done something, and then undid it, only to wish you had just left it alone? There is a redo function for that!

Pull Requests

Switching between applications can be time-consuming and interrupts workflow, especially when it comes to Pull Requests. By Integrating GitKraken with services like GitHub, you can create new PRs and view pending PRs for multiple repos directly without leaving the loving tentacles of GitKraken.

OAuth Integration with GitHub and Bitbucket



GitHub.com



Bitbucket.org

GitKraken can be connected to GitHub or Bitbucket via OAuth to provide integrations that make working with your remote repositories easier. For example, when cloning a repository or adding remotes, GitKraken is able to show repos you have access to on your connected service(s). Of course, you still have the option of manually entering repo URLs.

SECURE SHELL (SSH)

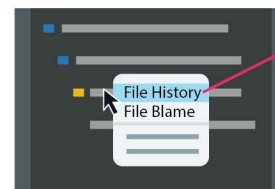
GitKraken can generate an SSH Key for you automatically. It can even add it to your GitHub account if you give it permission.



Since GitKraken uses its own bundled copy of an SSH library, nothing needs to be configured outside of the app.

File History and Blame

History and blame information for a file show up in the same view of the commit panel:



Choose to view history or blame by right clicking the file that appears when you select a commit.

You can also use the Fuzzy Finder **⌘ | Ctrl P** and then typing "history" followed by a space and then the filename. Once you're in the history view, you can see the commits in that file's history on the lefthand side.



Visit [GitKraken.com](https://gitkraken.com)

to see everything our Git client has to offer, and to download GitKraken for free for Windows, Mac or Linux!